

Digital Audio Platforms

Complete production-ready DAB audio systems



Jupiter | Mercury | Quantum

OVERVIEW

The consumer audio market is fast-moving, for both features and pricing. Manufacturers need to constantly update their designs and product offerings to remain competitive in this aggressive environment.

The Frontier Silicon digital audio reference platform range provides a fast-track route for packaging latest audio technology with the lowest-possible bill-of-materials and time-to-market. The platforms are primarily available as complete no-cost CAD design data, and also as physical samples in small quantities (useful for evaluating Venice modules). They may be used as-is, modified, or as a starting point to speed development of custom OEM products.

All platforms are production-ready, based on Frontier Silicon's Venice¹ range of DAB/FM modules (featuring Apollo/Chorus/Kino chipsets¹), and together cover a wide spectrum of audio system types, from low-cost DAB radio and CD players to the most sophisticated yet simple-to-use MP3, network and Internet streaming systems.

Each platform design includes customisable software, and needs only keyboard, display, case and power supply to finish off a complete high-quality audio system. The specified audio amplifiers may be configured as stereo or bridged mono.

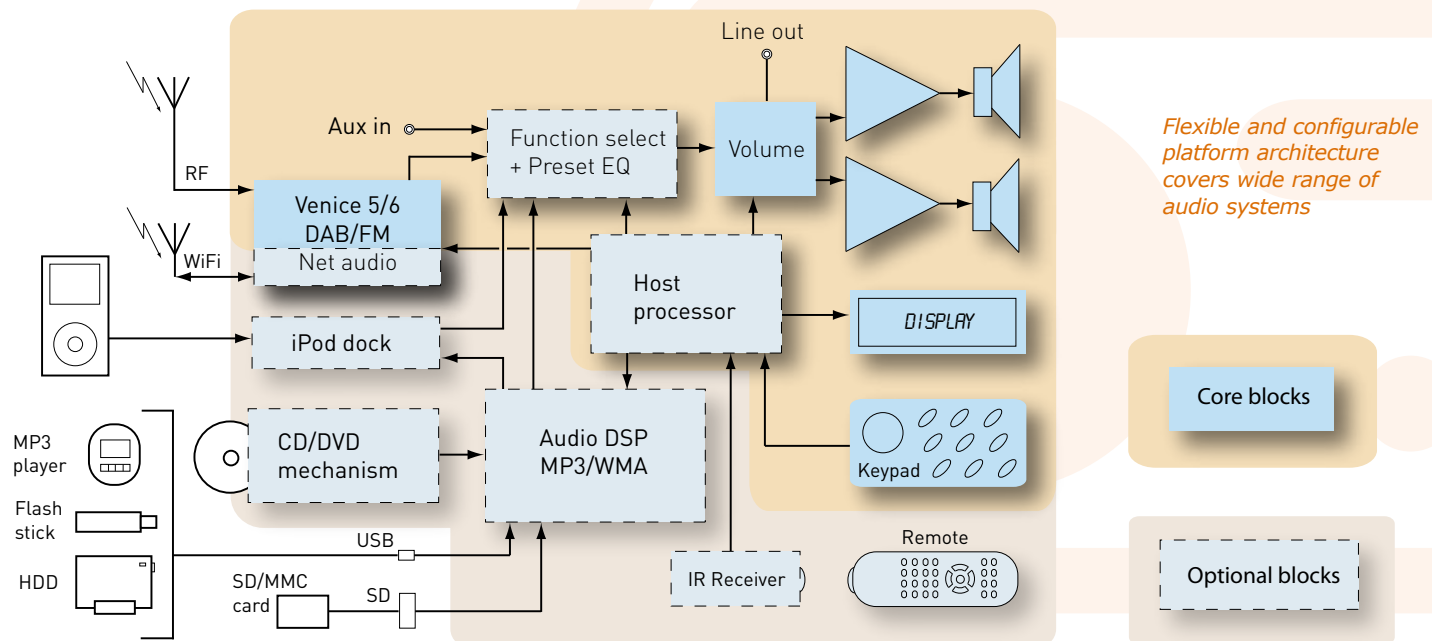
¹ Product briefs available from website

APPLICATIONS

- Portable radios
- Clock radios
- iPod docking systems
- CD midi/micro systems
- CD boomboxes
- CD/MP3 systems
- DVD/VCD systems

FEATURES

- Designs freely available for low-cost production
- Optimized for performance
- Highly customizable and configurable
- Use proven Frontier Silicon modules
- Developed both in-house and in collaboration with established third party design houses.
- Customer deliverables include detailed specification, schematics, gerbers, bill-of-materials, mechanical drawings, customized software and EMC/ESD compliance report



Digital Audio Platforms

Complete production-ready DAB audio systems



	Jupiter 2 FS4022	Jupiter 3 FS4023	Jupiter 6 FS4026	Jupiter HL FS4020	Mercury 3 FS4033	Quantum 3 FS4043	Quantum 4 FS4044	Vega FS4013
Product segment	EPG radio	Entry kitchen/clock/iPod docking radio	Wi-Fi radio	Advanced kitchen radio	Entry CD micro	Advanced CD micro	Wi-Fi CD microsystem	Super low-cost DAB/FM handheld radio
Design house	Frontier Silicon	Frontier Silicon	Frontier Silicon	HarbourLight	Silan	HarbourLight/Silan	HarbourLight/Silan	Frontier Silicon
Module	Venice 4	Venice 5	Venice 6	Venice 4/Venice 5	Venice 4/Venice 5	Venice 4/Venice 5	Venice 6	Chipdown: Apollo/Kino 2
Features								
DAB	•	•	•	•	•	•	•	•
FM	•	•	•	•	•	•	•	•
Internet radio			•				•	
Music streaming			•				•	
AM			•			•		
Alarms/Clocks	•	•	•	•	•	•	•	
CD					•	•	•	
VCD/DVD						•	•	
Rewind	•							
MP3 replay	•		•	•		•	•	
WMA replay			•	•		•	•	
EPG	•							
Record	•						•	
Audio EQ				•	•	•	•	
SD card	•			•		•	•	
USB host				•		•	•	
USB FW upgrade	•		•					
Remote			•	•	•	•	•	
Aux In			•		•	•	•	
iPOD interface		•	•	•	•	•	•	

Please contact Frontier Silicon for further detailed information.

Frontier Silicon is also able to offer industrial designs for the different product categories, developed in partnership with Therefore (a leading industrial design house based in London, UK)



WWW.FRONTIER-SILICON.COM

Frontier Silicon is a trademark or registered trademark of Frontier Silicon Ltd. iPod is a trademark of Apple Computer, Inc. This publication is for information only. Any contract between Frontier Silicon and its customers is subject to the terms and conditions of the relevant agreement.

Specifications are subject to change without notice.

© 2006 - 2007 Frontier Silicon Limited

NOVEMBER 2007

Head Office: Gleneagles, The Belfry,
Colonial Way, Watford, Hertfordshire, WD24 4WH, UK

Tel: +44 1923 474 200 Fax: +44 1923 202 251

E-mail (information): info@frontier-silicon.com

E-mail (sales): sales@frontier-silicon.com